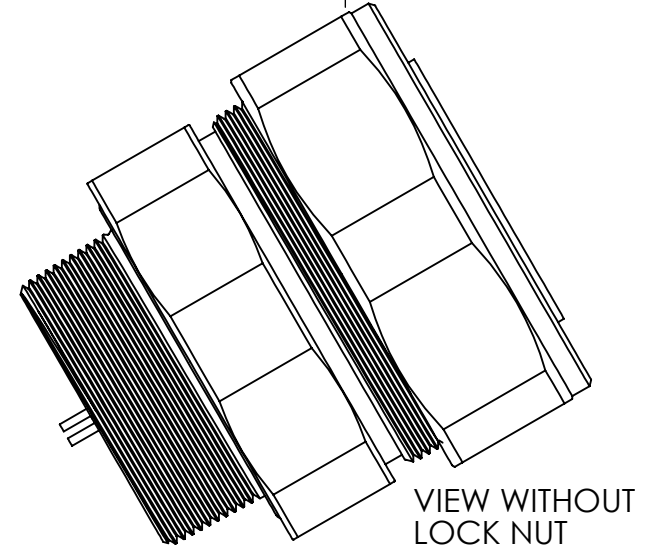
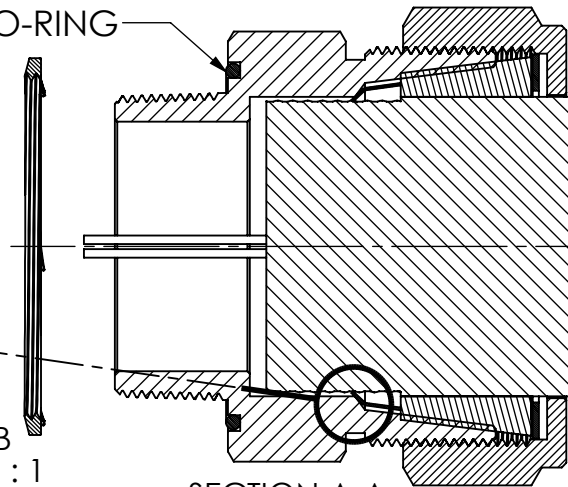
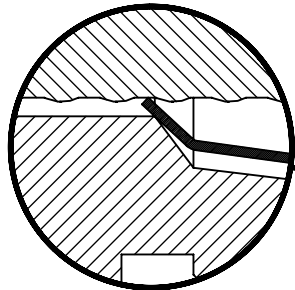


LOCK NUT
OPTIONAL

O-RING



REV.	DATE	CHANGE
A	12/3/13	RELEASED DRAWING

UNLESS OTHERWISE SPECIFIED:

DIMENSIONS ARE IN INCHES
TOLERANCES:
FRACTIONAL ± 1/64
ANGULAR: MACH ± 1° BEND ± 1°
ONE PLACE DECIMAL ± .015
TWO PLACE DECIMAL ± .010
THREE PLACE DECIMAL ± .005

INTERPRET GEOMETRIC
TOLERANCING PER:

MATERIAL
STAINLESS

FINISH

DO NOT SCALE DRAWING

	NAME	DATE
DRAWN	JCN	12/13
CHECKED		
ENG APPR.		
MFG APPR.		
Q.A.		

PROPRIETARY AND CONFIDENTIAL
THE INFORMATION CONTAINED IN THIS
DRAWING IS THE SOLE PROPERTY OF
REMKE INDUSTRIES. ANY REPRODUCTION
IN PART OR AS A WHOLE WITHOUT THE
WRITTEN PERMISSION OF REMKE INDUSTRIES
IS PROHIBITED.



TITLE:

SIZE DWG. NO.
A RTKSS-350-26

SCALE: 1:2.5

SHEET 1 OF 1