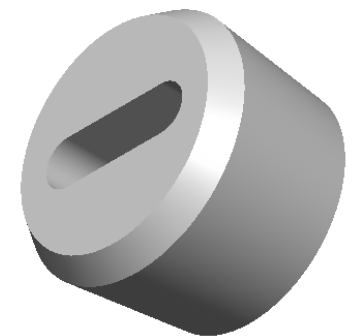
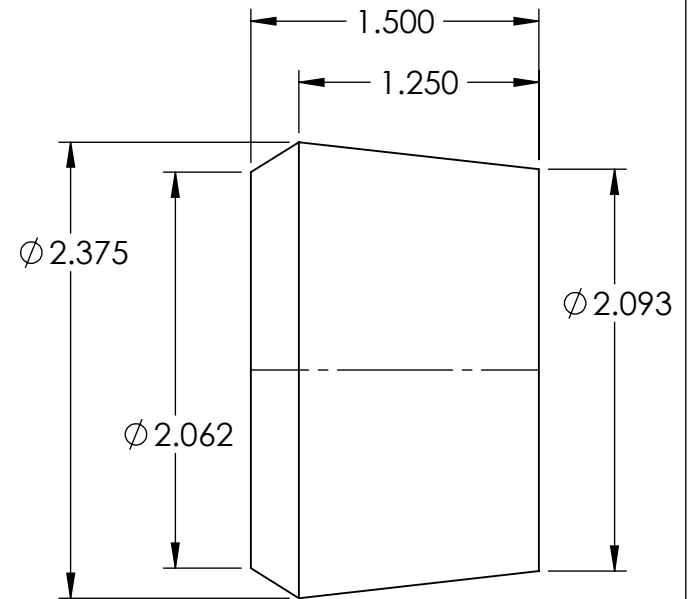


SECTION A-A



NOTES:

1. FLASH TO BE HELD TO A MINIMUM AND MAY NOT WEB ACROSS HOLES.
2. I.D. AND O.D. CONCENTRICITY .020.
3. ALL OTHER DIMENSIONS  $\pm .015$ .
4. MATERIAL: BLACK NEOPRENE 50-60 DUROMETER

REV.	DATE	CHANGE	UNLESS OTHERWISE SPECIFIED:	NAME	DATE	BRIDGEPORT	
A	11/19/03	DRAWING RELEASED	DIMENSIONS ARE IN INCHES TOLERANCES: FRACTIONAL $\pm 1/64$ ANGULAR: MACH $\pm 1^\circ$ BEND $\pm 1^\circ$ ONE PLACE DECIMAL $\pm .015$ TWO PLACE DECIMAL $\pm .010$ THREE PLACE DECIMAL $\pm .005$	DRAWN JCN	9/15	TITLE: <b>BUSHING</b>	
B	9/6/15	REDRAWN	INTERPRET GEOMETRIC TOLERANCING PER:	CHECKED		SIZE <b>A</b>	DWG. NO. <b>SBF-6013</b>
			MATERIAL <b>SEE NOTE</b>	ENG APPR.		SCALE: 2:1	
			FINISH	MFG APPR.		SHEET 1 OF 1	
			DO NOT SCALE DRAWING	Q.A.			
				<b>PROPRIETARY AND CONFIDENTIAL</b>			
				THE INFORMATION CONTAINED IN THIS DRAWING IS THE SOLE PROPERTY OF REMKE INDUSTRIES. ANY REPRODUCTION IN PART OR AS A WHOLE WITHOUT THE WRITTEN PERMISSION OF REMKE INDUSTRIES IS PROHIBITED.			

5

↑

4

3

2

1