

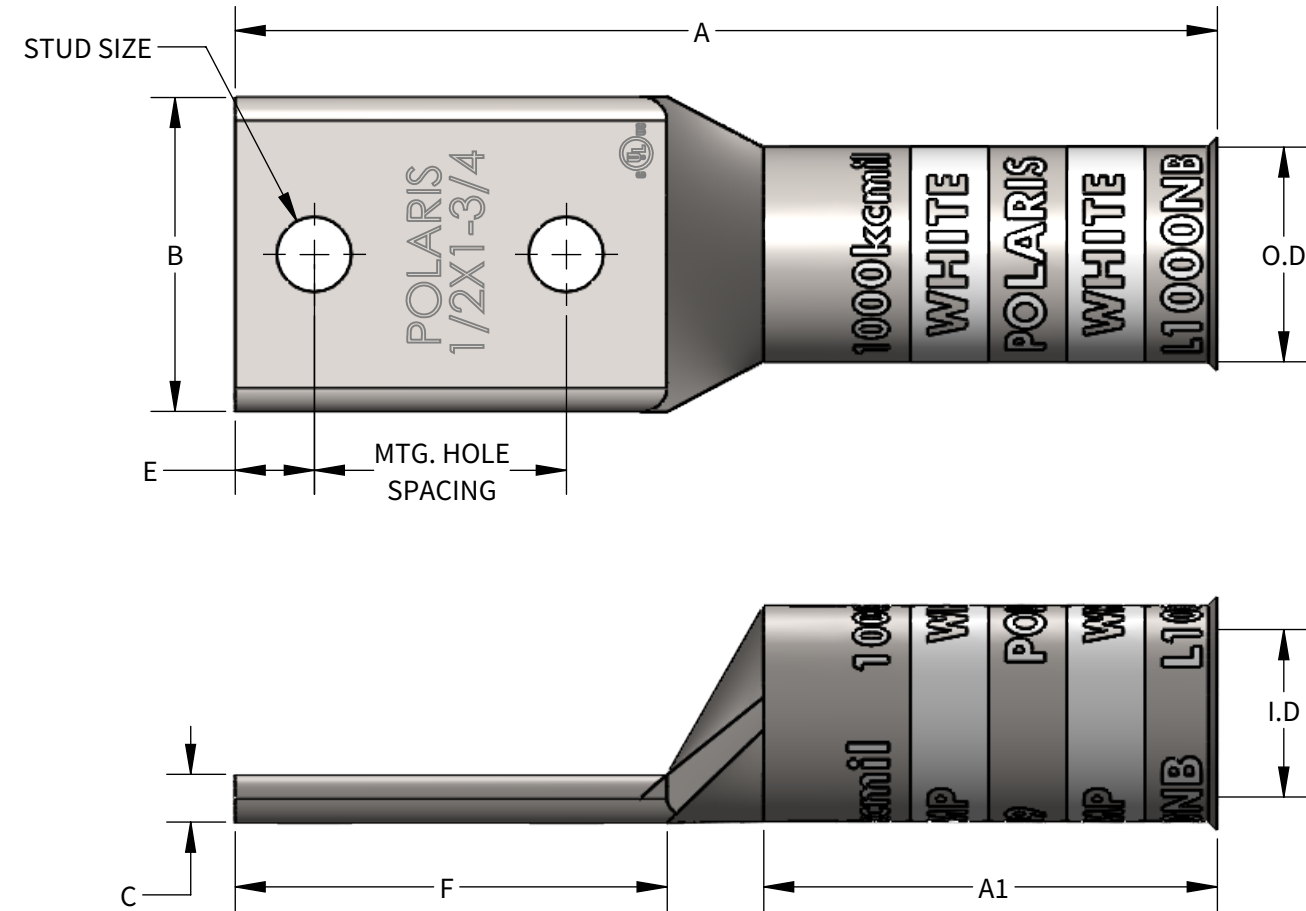
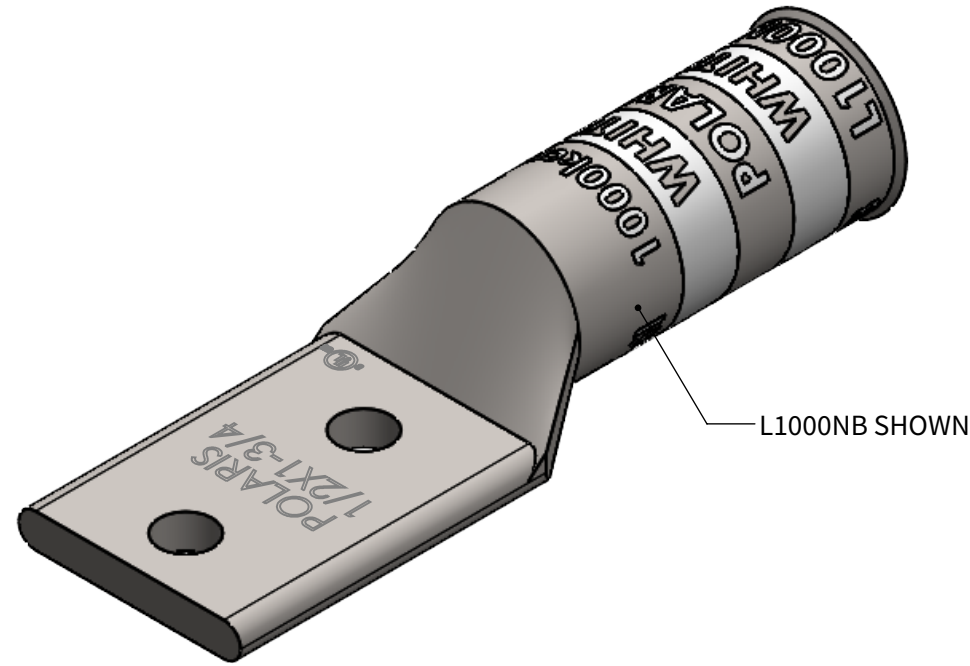
FEATURES:

1. Material: Tin Plated CU
2. UL listed for U.S. & Canada.
3. Wire connector rated for 35Kv max.
4. Class B/C compressed, concentric, compact and flex copper conductor only.

L-NB Series



PROGRAM:	SOLIDWORKS
UPDATED:	3/12/2026
SALES REV:	B
SIZE:	B (11x17)



* SEE INSTALLATION INSTRUCTIONS FOR TOOL AND DIE COMPATIBILITY

Part Number	Building Code Wire Size	Flex Wire Size*	Expanded Wire Range*	Stud Size	Mtg. Hole Spacing (in.)	Die Color	I.D.	O.D.	A	A1	B	C	E	F
L30NB	3/0AWG	2/0AWG	3/0 -2	1/2	1 3/4	ORANGE	0.49	0.62	4.66	1.38	0.90	0.13	0.55	3.00
L40NB	4/0AWG	3/0AWG	4/0 -1	1/2	1 3/4	PURPLE	0.54	0.69	4.73	1.42	1.00	0.13	0.55	3.00
L250NB	250kcmil	4/0AWG	250 -1/0	1/2	1 3/4	YELLOW	0.59	0.75	4.95	1.61	1.09	0.15	0.55	3.00
L300NB	300kcmil	250kcmil	300 -2/0	1/2	1 3/4	WHITE	0.66	0.81	5.33	1.97	1.19	0.15	0.55	3.00
L350NB	350kcmil	250/262kcmil	350 -3/0	1/2	1 3/4	RED	0.70	0.87	5.36	1.97	1.28	0.17	0.55	3.00
L500NB	500kcmil	350/373kcmil	500 -250	1/2	1 3/4	BROWN	0.83	1.06	5.72	2.24	1.54	0.22	0.55	3.00
L600NB	600kcmil	444kcmil	600 -250	1/2	1 3/4	GREEN	0.91	1.18	5.77	2.24	1.72	0.25	0.55	3.00
L700NB	700kcmil	500/535kcmil	700 -500	1/2	1 3/4	PINK	0.99	1.25	6.20	2.64	1.81	0.27	0.55	3.00
L750NB	750kcmil	600/646kcmil	750 -500	1/2	1 3/4	BLACK	1.03	1.30	6.23	2.64	1.90	0.27	0.55	3.00
L1000NB	1000kcmil	777kcmil	1000 -750	1/2	1 3/4	WHITE	1.16	1.49	6.82	3.15	2.18	0.33	0.55	3.00

