

PROGRAM:	SOLIDWORKS
UPDATED:	3/16/2026
SALES REV:	A
SIZE:	A (8.5x11) (IN)

FIGURE 1

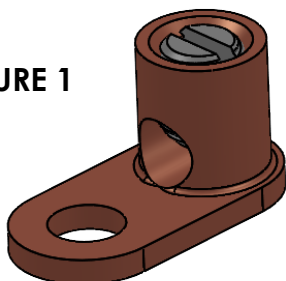


FIGURE 2

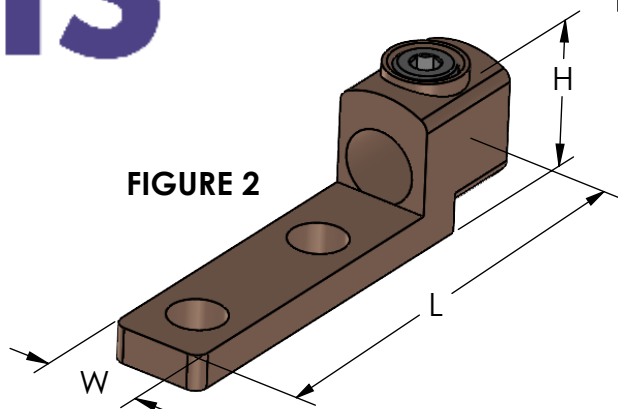
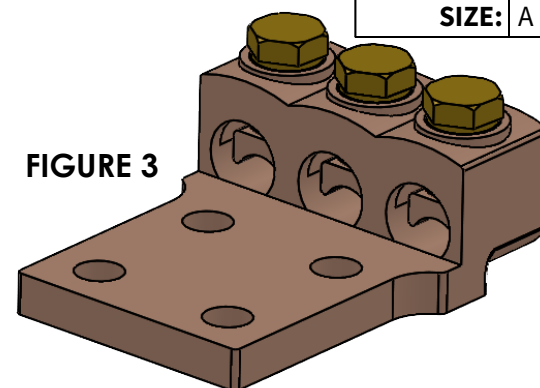


FIGURE 3



PART NUMBER	FIGURE	BODY MATERIAL	# OF COND PORTS	SCREW MATERIAL	SCREW TYPE	WIRE RANGE	MOUNT HOLE SIZE (IN)	# OF MOUNT HOLES	LENGTH (L) (IN)	WIDTH (W) (IN)	HEIGHT (H) (IN)
TL8	1	COPPER	1	ZINC PLATED STEEL	SLOTTED	8-14 AWG	0.21	1	0.82	0.39	0.51
TL4	1	COPPER	1	ZINC PLATED STEEL	SLOTTED	4-14 AWG	0.28	1	1.14	0.55	0.58
TL1/0	1	BRONZE	1	STAINLESS STEEL	1/4" INT. HEX	1/0-4 AWG	0.41	1	1.67	0.78	0.88
TL250	1	COPPER	1	ZINC PLATED STEEL	1/4" INT. HEX	250-6 AWG	0.38	1	1.97	0.94	1.06
TL250-L2	2	BRONZE	1	STAINLESS STEEL	1/4" INT. HEX	350-1/0 AWG	0.54	2	4.45	0.94	1.40
TL250-2L2	2	BRONZE	2	STAINLESS STEEL	1/4" INT. HEX	350-1/0 AWG	0.54	2	4.46	1.88	1.40
TL250-3L2	2	BRONZE	3	STAINLESS STEEL	1/4" INT. HEX	350-1/0 AWG	0.54	2	4.49	2.82	1.40
TL250-4L2	2	BRONZE	4	STAINLESS STEEL	1/4" INT. HEX	350-1/0 AWG	0.54	2	4.49	3.85	1.40
TL500	1	BRONZE	1	BRASS	3/4" EXT. HEX	500-250 MCM	0.54	1	2.78	1.30	1.77
TL500-L2	2	BRONZE	1	BRASS	3/4" EXT. HEX	500-250 MCM	0.54	2	4.66	1.30	1.77
TL500-2L2	2	BRONZE	2	BRASS	3/4" EXT. HEX	500-250 MCM	0.54	2	4.67	2.41	2.13
TL500-3L2	2	BRONZE	3	BRASS	3/4" EXT. HEX	500-250 MCM	0.54	2	4.66	3.59	2.17
TL500-3L4	3	BRONZE	3	BRASS	3/4" EXT. HEX	500-250 MCM	0.54	4	4.66	3.59	2.10
TL500-4L2	2	BRONZE	4	BRASS	3/4" EXT. HEX	500-250 MCM	0.54	2	4.65	4.73	2.17
TL500-4L4	3	BRONZE	4	BRASS	3/4" EXT. HEX	500-250 MCM	0.54	4	4.67	4.73	2.17
TL1000	1	BRONZE	1	COPPER	7/8" EXT. HEX	1000-500 MCM	0.58	1	3.57	1.92	2.88
TL1000-L2	2	BRONZE	1	COPPER	7/8" EXT. HEX	1000-500MCM	0.58	2	5.45	1.92	2.91

FEATURES:

1. Class B/C compressed, concentric, and compact conductor only.
2. Rated for copper wire only.
3. NEMA spacing.